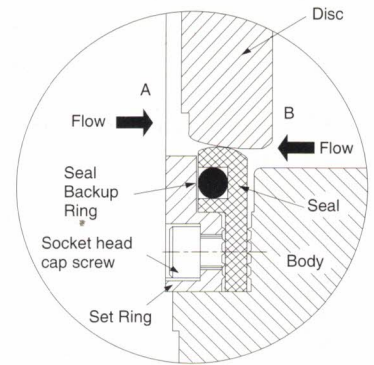
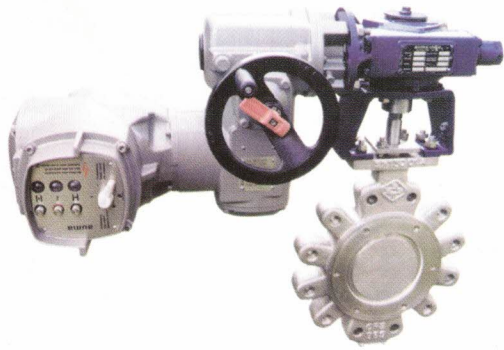




## 4S-V30 #300 HIGH PERFORMANCE BUTTERFLY VALVES



Fouress #300 rating high performance butterfly valves are reliable, well proven design provides bi-directional shut-off.

**4S-V30 valves are provided with a groove / step on the seat to be held in position between set ring and the body:** Under throttled condition, when the valve disc is crack open, the high velocity flow cannot pull the seat. Hence seat will not get damaged due to high velocity during control duty.

**Seal Back-up Ring :** Will prevent any undue outward movement of the teflon seat.

**The seat is designed to move slightly in the direction of flow :** This allows the pressure access to the back of the seat, thus making the seal progressively tighter as the pressure increases. During reverse flow, any deflection of the disc would tend to reduce the tightness but the pressure behind the seat compensates to maintain the seat tightness.

**Large area of seal contact :** This ensures increased tightness and shut-off potential.

**Seat ring designed to move in the direction of flow :** This allows pressure access in the back of the seat, thus making the seal progressively tighter as the pressure increases. During reverse flow, any deflection of the disc would tend to reduce the tightness but the pressure behind the seat compensates to maintain the seating.

**Large area of seal contact :** This ensures increased tightness and high shut-off potential.

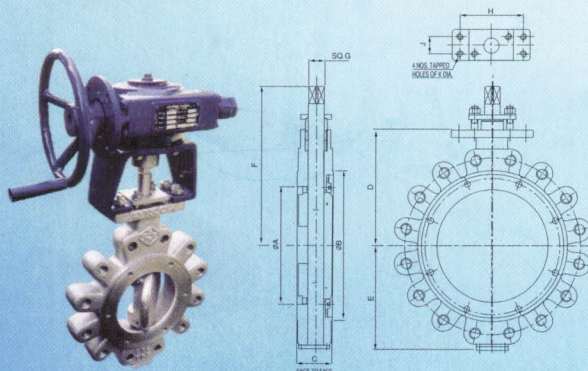
**Special Features :** • 4S-V30 valves could be used for both on/off and control duty • Fully rated for 300# - can be used up to 50 bar pressure • As per design standard MS SP68 • Reliable design proved by cycle test.

**Drilling Standard :** • ANSI B16.5 #300

### STANDARD SPECIFICATIONS & MATERIAL OF CONSTRUCTION

DESCRIPTION	MATERIAL	STANDARD SPECIFICATION	DESCRIPTION	MATERIAL	STANDARD SPECIFICATION
BODY	Stainless Steel	ASTM A351 Gr.CF8	TAPER PIN	Stainless Steel	ASTM A564 Type 630 condition - HT 150
DISC	Stainless Steel	ASTM A351 Gr.CF8	SEAT RING	PTFE	20% Glass Filled PTFE
SHAFT	Stainless Steel	ASTM A564 Type 630 condition - HT 150	BACK-UP RING	Stainless Steel	ASTM A479 type 316
SET RING	Stainless Steel	ASTM A240 type 316	UPPER/LOWER BUSH	PTFE + St. St. Type 316	As per standard
GLAND	Stainless Steel	ASTM A479 type 316	GASKET	PTFE	As per standard
GLAND FLANGE	Stainless Steel	ASTM A240 type 316	GLAND PACKING	PTFE	As per standard
PACKING WASHER	Stainless Steel	ASTM A479 type 316	YOKE	Carbon Steel	IS:2062 Gr.B
BOTTOM COVER	Stainless Steel	ASTM A240 type 316			

### MODEL 4S-V30 WITH WORM GEAR



Size (mm)	B A (mm)	B B (mm)	C (mm)	D (mm)	E (mm)	F (mm)	∅G (mm)	H (mm)	J (mm)	K (mm)
80	84	129	48	150	112	220	14	100	28	m10
100	104	160	54	160	132	230	20	105	28	m10
125	125	180	56	187	147	270	20	105	28	m10
150	150	209	59	205	168	287	25	120	36	m12
200	200	260	73	238	203	324	30	145	50	m12
250	250	320	83	275	241	368	35	155	52	m12
300	305	384	92	300	265	414	40	170	46	m16
350	350	418	118	365	311	483	50	200	72	m16
400	400	480	134	386	343	515	60	220	90	m16